



Capacitor Discharge Resistor

Series PYP

Key Features

- High Power Dissipation upto 13W@25°C.
- Specially Designed to meet Repetitive Pulse Loading.
- Selected Premium Quality Resistance Wire.
- Corrosion Resistant Terminals for Long Life.
- Superior Vibration Resistance
- Reference Standards :
 - IEC 115-1



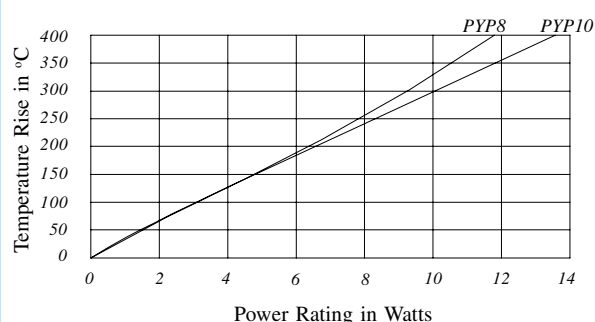
Electrical Specifications and Environmental Characteristics

Type	Power Rating		Ohmic Range	Limiting Voltage	Critical Value	Electrical Specifications	
	@25°C	@70°C				Climatic Category	Temperature Range
	Watts	Watts					
PYP 8	10	8.5	1R0 - 82K	685V	47K	Terminal Strength	>25N
						Derating	25°C to 350°C Linearly
PYP 10	13	11	1R0 - 120K	940V	68K	TCR	Standard ±100 ppm/°C ; On Request ±30ppm/°C
						Tolerance	±1%, ±2%, ±5%, ±10%

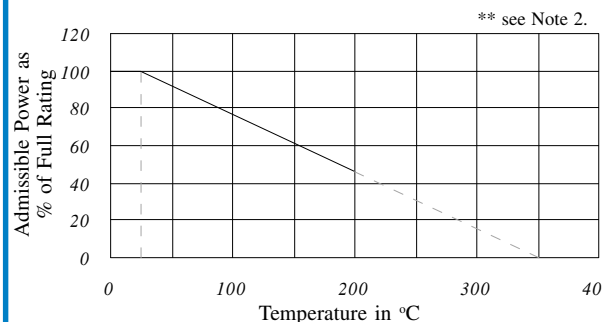
Performance Characteristics

Test Methods	Test Conditions	Test Limits
Endurance at Rated Temperature	Full Rated Power for 1000hrs,(1.5hrs ON,0.5hrs OFF) at 25°C	$\Delta R < 5\% + 0R05$
Short Term Overload	10 x Rated Power for 5 secs, IEC115-1, Clause 4.1.3	$\Delta R < 2\% + 0R05$
Damp Heat Steady State	90-95% RH, 40°C, 56 Days,IEC 115-1, Clause 4.17.3	$\Delta R < 5\% + 0R05$
Climatic Sequence	As per IEC 115-1,Clause 4.23	$\Delta R < 5\% + 0R05$
Solderability	Not Applicable-Resistor is Designed for Screw Mounting Only	
Terminal Strength	25 N Pull Test for 10 Seconds, IEC 115-1, Clause 4.16	$\Delta R < 0.5\% + 0R05$

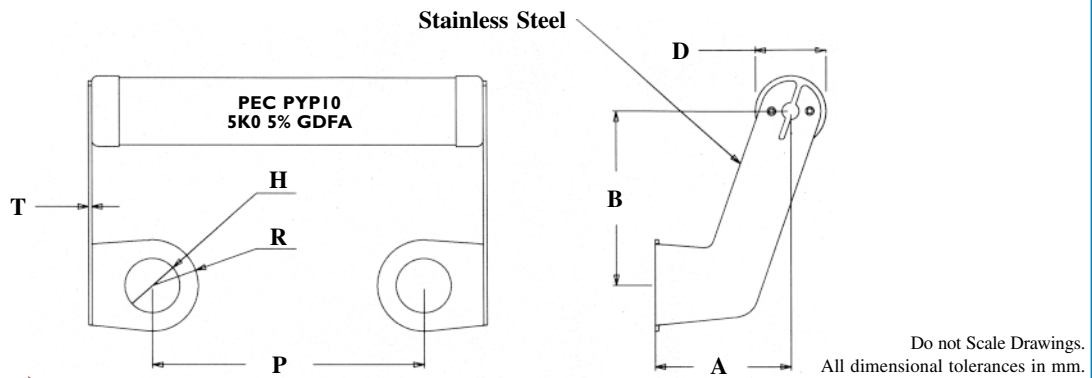
Temperature Rise Graphs



Derating Curve **



Dimensions



Do not Scale Drawings.
All dimensional tolerances in mm.

Dimensions (mm)

Type	P	A	B	D	T	R	H
	± 1	± 1	± 1	± 1	± 0.05	± 0.20	± 0.20
PYP8	22	15	21	9.5	0.40	5.35	6.35
PYP10	31.8	15	21	9.5	0.40	5.35	6.35

Dimensions (Inches)

Type	P	A	B	D	T	R	H
	± 0.039	± 0.039	± 0.039	± 0.039	± 0.0019	± 0.008	± 0.008
PYP8	0.866	0.590	0.827	0.374	0.0157	0.21	0.25
PYP10	1.252	0.590	0.827	0.374	0.0157	0.21	0.25

To Order - Please Specify

PEC Type.	Ohmic Value	Tolerance	Packing Style	Release Condition	Special Requirements
PYP10	0.1 Ohm » 0R1 / R10 1 Ohm » 1R0 1 KOhm » 1K0 10.7 KOhm » 10K7	10% » J 5% » K 2% » G 1% » F	Bulk » B	Commercial » X	Standard » S Others » M Please Specify

A Sample Part No.: **PYP10 1K0 JBXS**

Application Notes

- On request we undertake tests for Batch Acceptance to a specified Reference Standard.
- The Derating Curve specifies the maximum allowable Power at a particular ambient temperature while ensuring that the maximum surface temperature remains within the designed limit.
- When the Resistor is subjected to a Pulse Load, please ensure that the *average* Power dissipated remains below the rated Power specified.
- Resistor performance with Pulse Loads will have to be application tested. Please utilise our Pulse Application Questionnaire for selecting a suitable type or for requesting any design-in assistance from us.

International

Ron J. Stewart, UK (Factory Representative)

☎ + +44 (0)1457 852 120

✉ RonStewart@peccomponents.com

Delhi, U.P., Punjab, Haryana, J&K, N. India

Prem K. Verma, Modern Radio Components Co.

☎ (0)11 2386 5587 ☎ (0)98 1083 5000

Mumbai, Pune, Western India

S.B. Dhurandar, Vikas R. Kothare, Electronica Sales

☎ (0)22 2352 0718 ☎ (0)22 3416 1762 ✉ eedcee@vsnl.com

Kolkata, Eastern India

M.W. Haque, Indian Electronics

☎ (0)33 2212 7793 ☎ (0)98 3123 2412 ☎ (0)33 22126385

Hyderabad, Southern India

R. Ramaswamy, Electronic Agencies

☎ (0)40 2713 5431 ☎ (0)98 4936 5910

Factory Coordination

J.R. Logani, Delhi

☎ (0)98 1098 4912

☎ (0)11 2744 1044

S.P. Bhandarkar, Bangalore

☎ (0)80 2310 3330

K. Natarajan, Chennai

☎ (0)44 2461 4436

R.S. Varma, Vishal Agencies

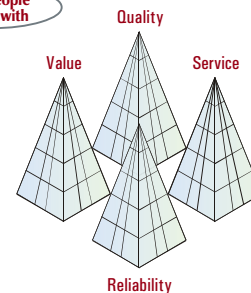
Hyderabad

☎ (0)40 2711 2079

☎ (0)40 3101 6863

✉ nikshith@satyam.net.in

Better People
to Work with



Thoughtful engineering and production by a well trained work-force, backed by strong design and development skills, enable us to maintain a level of manufacture and service recognised internationally.

At PEC we offer you fine-tuned customised support.